

BENEFITS ON A GLANCE

POWERWALKER

- < Foldable
- < Bluetooth music system
- < HD Audio speakers
- < One touch speed
- < Customise programme setting
- < Clearly structured console
- < LED touch display
- < Pulse Training Grip
- < Pulse watch & pulse belt compatible
- < Body fat analysis
- < App compatible
- < Fashionable design
- < Mobile phone charger
- < Cup holder
- < Emergency protection system
- < Low noise motor >60 DB
- < User weight up to 120kg
- < Ready to start (no assembly required)
- < MDF running surface 1200 mm x 420 mm



KEEP FIT IN STYLE!



POWERWALKER

HOME FITNESS DEVICE







RUN YOUR BODY INTO GOOD SHAPE

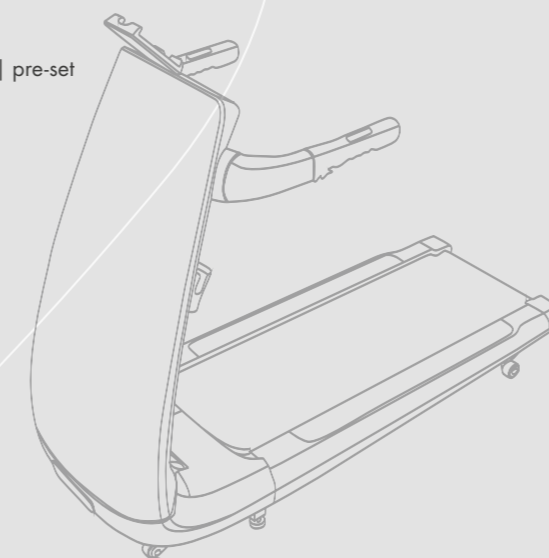
Become an explorer with the PowerWalker by Casada! Our treadmill is a fantastic companion for almost any lifestyle. With our running training you will not only improve your performance and get rid of troublesome calories, but will also strengthen your heart and circulation system and improve your quality of life in the long

term. The PowerWalker will assist you whether you want to go for a gentle jog, a long endurance run or a relaxed walk. We recommend that you use a heart rate monitor for cardiovascular training. This will enable you to train in your optimal heart rate zone - perfect for shedding a few pounds!



SPECIFICATIONS

Console Display:	340mm x 110mm
Acrylic touch screen:	Distance Calories Steps Mode Time Speed Pulse pre-set Programme Body fat measurement
Motor:	1.0 CHP-motor - smooth, powerful and quiet operation
Voltage:	220-240 V 50/60Hz
Speed range:	1.0 - 12 km/h
Body fat measurement:	Yes
Running surface:	120cm x 42cm
Joint protective technology:	iCS (intelligent cushioning system) Tech.
Base frame:	MDF running deck
Product dimension (folded):	163cm(L) x 65cm(W) x 46cm(H)
Product dimension (normal):	163cm(L) x 65cm(W) x 133cm(H)
Packing mass:	170cm(L) x 73cm(W) x 47cm(H)
Weight:	N.W.: 53kg B.W.: 58kg
Maximum user weight:	100kg
Certificates:	   



Casada International GmbH
Obermeiers Feld 3
33104 Paderborn | Germany
www.casada.com

body**sense**

CASADA
HEALTHCARE

SPACE-SAVER

Thanks to its innovative folding system, the PowerWalker can be dismantled quickly and easily once you finish your training with very little effort.



THE SMART ALL-ROUNDER

Personalise your training and make use of the PowerWalker's extensive talents. The useful holder for your tablet or smartphone ensures you need not miss out on anything.

Whether you want to listen to music, watch a TV series or record or view your training goals in the app, the choice is yours! The effective PowerWalker has a suitable programme for every amateur and professional. Choose from 12 training programmes or a personalised one from the app. Achieve your goals and celebrate your success!



EVERYTHING AT A GLANCE

Sophisticated technology and high-quality workmanship make the PowerWalker a much-loved training partner. The minimalist design of the treadmill console is very eye-catching. All of the important readings such as time, distance, calories and heart rate are concisely displayed here while you train. As a result, you can keep track of your achievements at all times.



LISTEN TO THE MUSIC

Training without music is a thing of the past! Make use of the practical Bluetooth function and the two integrated HD speakers to train to the sound of your favourite tunes.



FINGER ON THE PULSE

Precise and reliable heart rate measurements are enormously important in ensuring your training is perfectly adapted. Include the pulse readers on your PowerWalker or wear a heart rate monitor and monitor your pulse while you train using the console or the training app.



GENTLE AND STRAIGHTFORWARD

The 1200 mm x 420 mm wide running surface of the PowerWalker is made up of various layers that combine to create a natural running sensation. It is therefore very gentle on your joints and knees. What's more, the high-powered motor is extremely quiet even when being driven hard.



MAXIMUM EXTRA PORTION

The PowerWalker has been designed to cope with a maximum load of up to 100 kg. The extra wide tread surface moreover offers improved safety and makes the treadmill easy to use during every training session.



POWERWALKER